

Seating Arrangement Questions Overview

Seating Arrangement Questions have a good weightage in the Banking Exam and the type of question asked in Banking exam is similar to the question mentioned below. It has been solved and explained by Gargi.ai Experts and they have tried to elaborate the concept used in Seating Arrangement Questions.

Seating Arrangement Questions

Direction: Read the given information carefully and answer the following questions. 12 people (A - L) attend a conference and sit around a hexagonal table. Six of them sit around the corner of the table and the remaining sit at the side of the table. Some of them face inside and some face outside. No two persons sit adjacent to each other according to the English alphabet (i.e. B does not sit adjacent to A and C and so on). A sits third to the left of F who sits in the middle of the side and faces inside. B sits opposite to F who sits immediate right of D and immediate left of J. Immediate neighbors of B face opposite directions. A sits second to the right of L and immediate neighbors of A facing the same direction but opposite to A. A is immediate right of H and H is the neighbor of J. A sits opposite to I, whose immediate neighbors face inside but opposite to I. G sits exactly in the middle of L and I and faces outside. E sits opposite to K who sits near D. A and B face the same direction and E faces the opposite direction.

Question

Find the odd one.

Difficulty : Difficult

Average Time : 84 Seconds

Options :

1. E
2. H
3. D
4. I
5. B

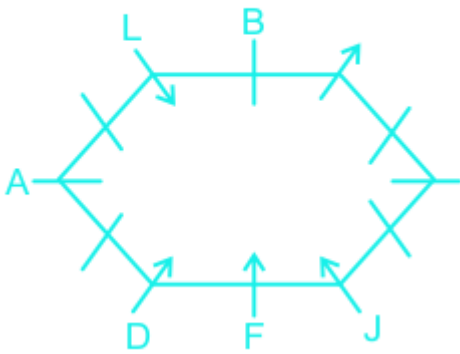
Solution

The correct answer is **option 5** i.e. **B**.

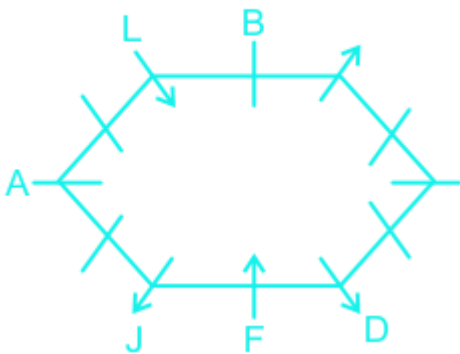
1. A sits third to the left of F who sits in the middle of the side and faces inside.
2. B sits opposite to F who sits immediate right of D and immediate left of J.
3. A sits second to the right of L.
4. Immediate neighbors of B face opposite directions.

Now we have two cases i.e. Case 1 and Case 2.

Case- 1



Case- 2



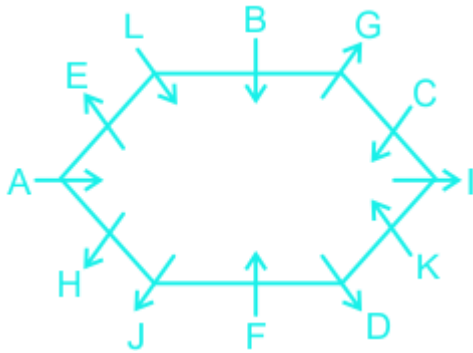
5. A is immediate right of H and H is the neighbor of J.

Now we can eliminate Case 1.

6. Immediate neighbors of A facing the same direction but opposite to A.
7. A sits opposite to I, whose immediate neighbors face inside but opposite to I.
8. G sits exactly in the middle of L and I and faces outside.
9. E sits opposite to K who sits near D.

10. A and B face the same direction and E faces the opposite direction.

11. Now, C sits in the vacant place.



This is our final arrangement.

Clearly, All are facing outside except B.

Hence, the correct answer is **B**.

