

## Puzzle Questions Overview

Puzzle Questions have a good weightage in the Banking Exam and the type of question asked in Banking exam is similar to the question mentioned below. It has been solved and explained by Gargi.ai Experts and they have tried to elaborate the concept used in Puzzle Questions.

## Puzzle Questions

Direction: Read the given information carefully and answer the following questions. There are eight members in the family A, B, C, D, E, F, G, and H with three generations. D is the mother of G. H is the nephew of C. A is the father of E. B has only two married sons. G is the grandson of B. F is the sister-in-law of C, who is the father of G. There is no single parent in the family.

## Question

How is H related to A?

Difficulty : Moderate

Average Time : 49 Seconds

Options :

1. Grandson
2. Sister
3. Granddaughter
4. Husband
5. Can't be determined

## Solution

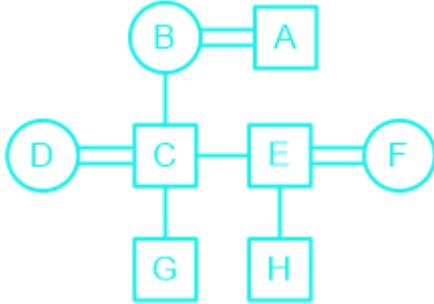
The correct answer is **Option 1** i.e. **Grandson**

1. D is the mother of G.
2. G is the grandson of B.
3. B has only two married sons.
4. F is the sister-in-law of C, who is the father of G.

5. H is the nephew of C. A is the father of E.

6. There is no single parent in the family.

The possible family tree is,



This is our final arrangement.

Clearly, H is the grandson of A.

Hence, the correct answer is "**Grandson**".

