

Blood Relation Questions Overview

Blood Relation Questions have a good weightage in the Banking Exam and the type of question asked in Banking exam is similar to the question mentioned below. It has been solved and explained by Gargi.ai Experts and they have tried to elaborate the concept used in Blood Relation Questions.

Blood Relation Questions

Direction: Read the given information carefully and answer the following questions. Nine persons of a family namely A, B, C, D, E, P, Q, R and S attended a family function. They are members of three generations and three married couples. A has three children. R is the father-in-law of A and he is married to S, who has only one child. E is the grandson of Q, and Q is the mother of A. Both C and D are siblings of E. P is not married to A. There is no single parent in the family.

Question

How many females attended the family function if C and D are females?

Difficulty : Moderate

Average Time : 57 Seconds

Options :

1. Four
2. Five
3. Six
4. Three
5. None of these

Solution

The correct answer is **Option 2** i.e. **Five**

Understanding

A has three children.

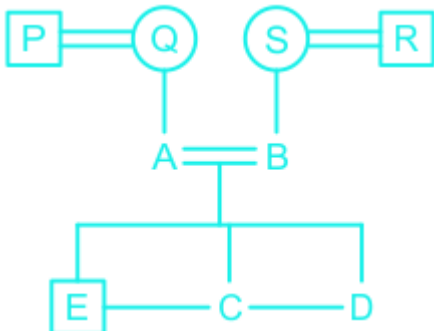
R is the father-in-law of A and he is married to S, who has only one child.

E is the grandson of Q, and Q is the mother of A. (So, E is the son of A, who is the child of Q)

Both C and D are siblings of E.

P is not married to A.

There is no single parent in the family. (So, A is married to B, and P is married to Q)



Symbol in Diagram	Meaning
○	Female
□	Male
==	Married Couple
—	Siblings
	Difference of A Generation

By making the family tree we get the gender and relationship of persons.

Clearly, if C and D are females then five females attended the family function.

Hence, the correct answer is **Five**.