

# Blood Relation Questions Overview

Blood Relation Questions have a good weightage in the Banking Exam and the type of question asked in Banking exam is similar to the question mentioned below. It has been solved and explained by Gargi.ai Experts and they have tried to elaborate the concept used in Blood Relation Questions.

## Blood Relation Questions

Read the given coded information carefully and answer the following questions. A@B means A is son of B A#B means A is wife of B A& B means A is sister of B A\$B means A is brother of B A%B means A is father of B

### Question

If B#A%D\$E#F@G then how many males are there in a family?

Difficulty : Moderate

Average Time : 46 Seconds

Options :

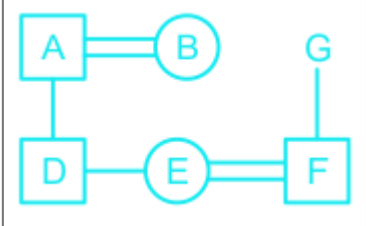
1. 1
2. 2
3. 3
4. 4
5. Cannot be determine

### Solution

The correct answer is **Option 5** i.e. **Cannot be determine**

Understanding

Application

<p>A@B means A is son of B</p>	 <p>Hence, cannot be determine the number of males.</p>
<p>A#B means A is wife of B</p>	
<p>A&amp; B means A is sister of B</p>	
<p>A\$B means A is brother of B</p>	
<p>A%B means A is father of B</p>	
<p>B#A%D\$E#F@G is:</p>	

