

# Blood Relation Questions Overview

Blood Relation Questions have a good weightage in the Banking Exam and the type of question asked in Banking exam is similar to the question mentioned below. It has been solved and explained by Gargi.ai Experts and they have tried to elaborate the concept used in Blood Relation Questions.

## Blood Relation Questions

Direction: Read the given information carefully and answer the following questions. In a family, there are eight members consisting of three generations namely; Tia, Ria, Sia, Jia, Mia, Kia, Nia, and Dia. Jia is the only Granddaughter of Tia, who is not the husband of Ria. Sia is the husband of Nia, who is the daughter-in-law of Ria. Mia is the sister-in-law of Sia, who is the father of Jia. Kia is the paternal uncle of Jia. Dia is the only son of Nia. Ria is the father-in-law of Mia, who does not have any children. Tia is the grandmother of Kia's only nephew.

### Question

What is the relationship of Kia with Ria?

Difficulty : Moderate

Average Time : 57 Seconds

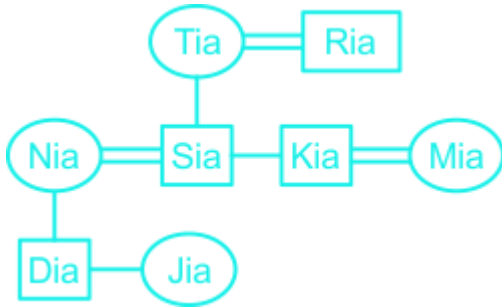
Options :

1. Son
2. Mother
3. Father
4. Daughter
5. Brother

### Solution

The correct answer is **Option 1** i.e. **Son**

By making the family tree diagram, we get all the relationships and gender of the family members.



Clearly, Kia is the son of Ria.

Hence, the correct answer is **Son**.

